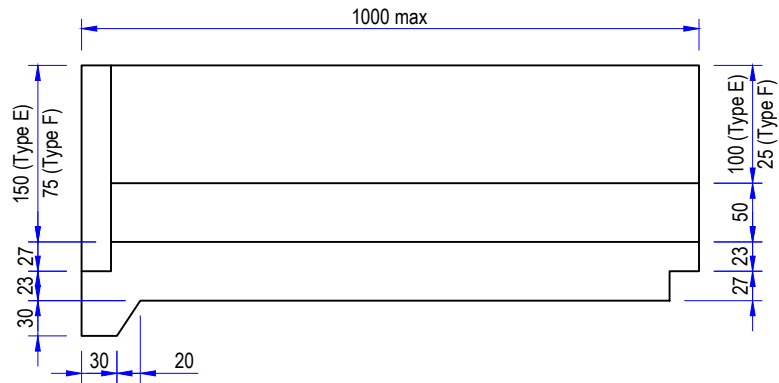


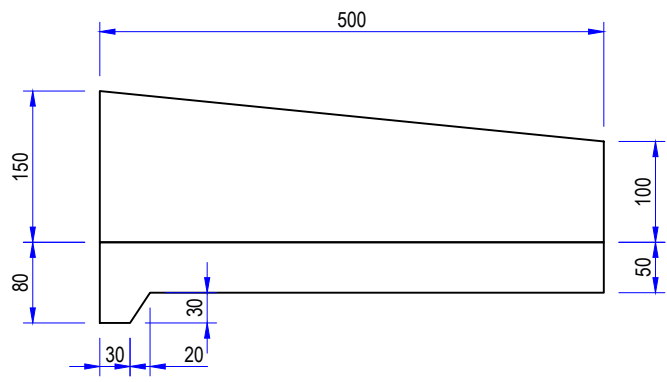
S:\HIGHWAYS MAINTENANCE\SSDM - SSDM - CONTENT\_ARCH\REVISED\DRW\STD DETAILS\SERIES 500\DRAINAGE & SERVICE DUCTS\GULBS500-15 DRAINAGE CHANNEL BLOCKS TYPES D, E AND F.DWG

NOTES

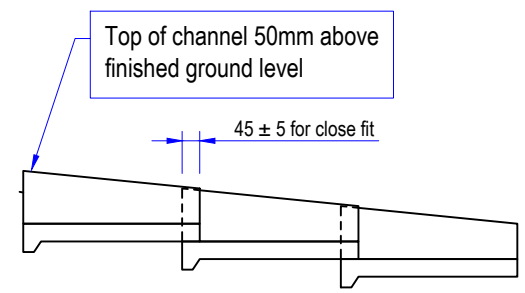
- 1. ALL DIMENSIONS ARE IN MILLIMETERS.
- 2. Blocks to be made of pressed concrete to BS EN 1340



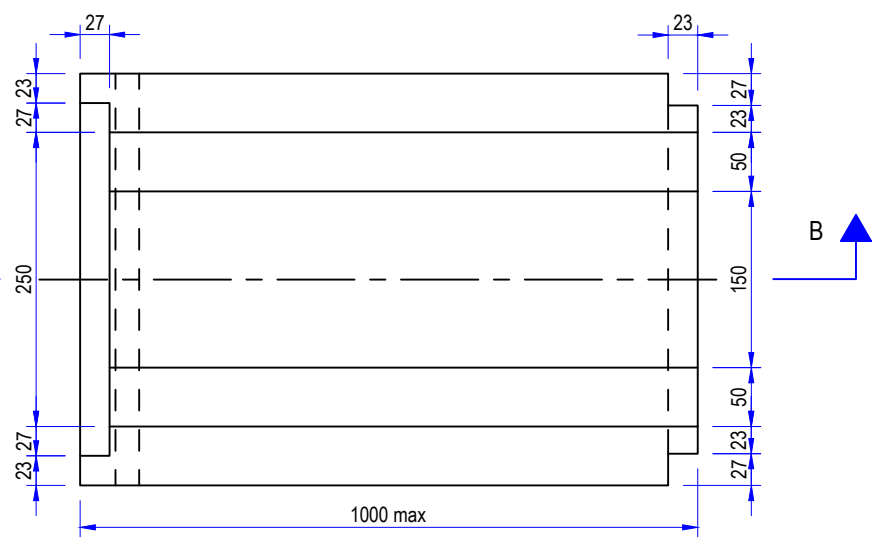
SECTION B-B



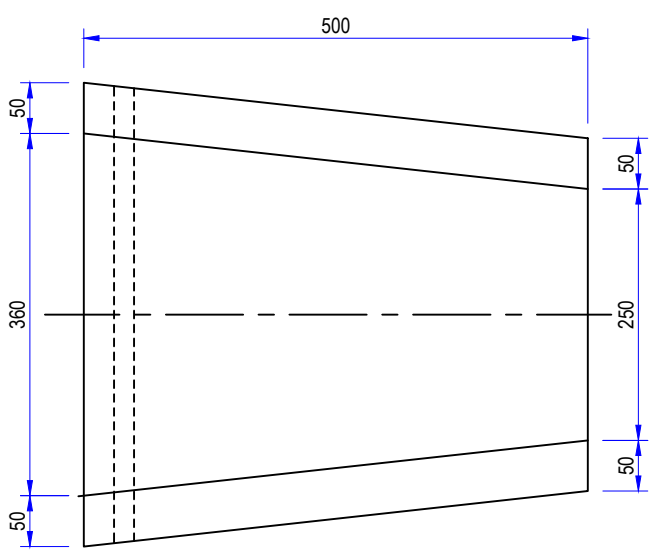
SECTION A-A



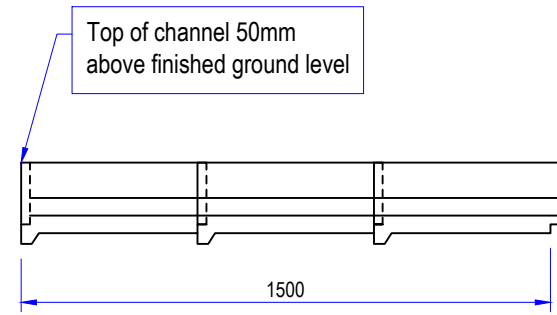
ASSEMBLED TYPE D BLOCKS



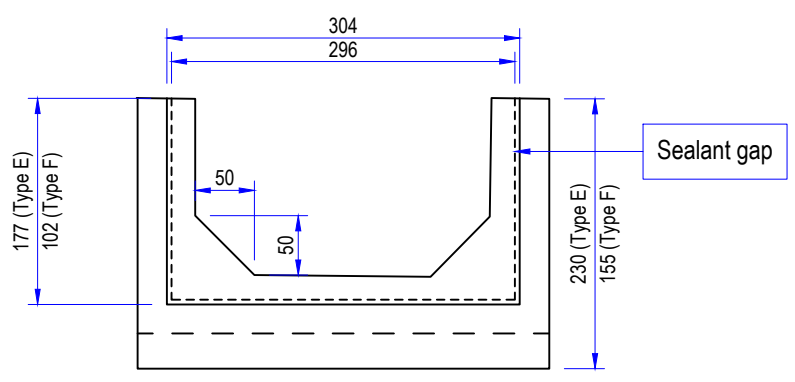
PLAN



PLAN

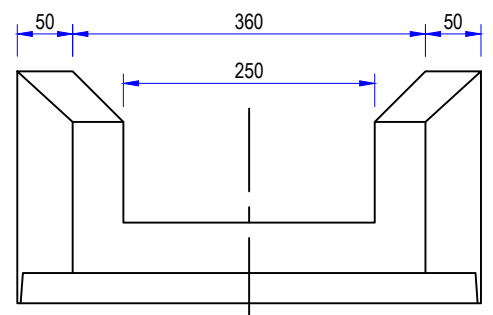


ASSEMBLED TYPE E & F BLOCKS



END VIEW

TYPE E & F CHANNEL BLOCK



END VIEW

TYPE D CHANNEL BLOCK

REV	DATE	REVISION DESCRIPTION / DETAILS	DRN BY	CHKD BY	APRVD BY



PROJECT: SOUTHWARK STREETSCAPE DESIGN MANUAL STANDARD DETAILS			
TITLE: DRAINAGE CHANNEL BLOCKS TYPES D, E AND F			
STATUS:	DRAFT	DRAWN	SR
SCALE:	N.T.S.	DESIGNED	-
		CHECKED	GL
		APPROVED	-
DRAWING NO:	LBS/500/15	REV	R0
DATE DRAWN:	JULY 2017	DATE ISSUED:	19 Feb 2019