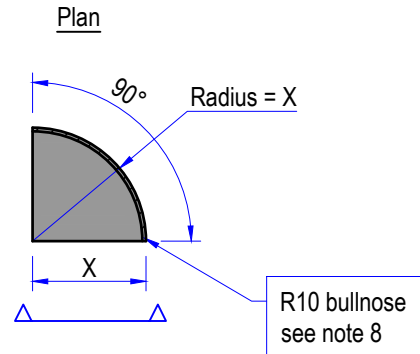


QUADRANT AND ANGLE KERBS

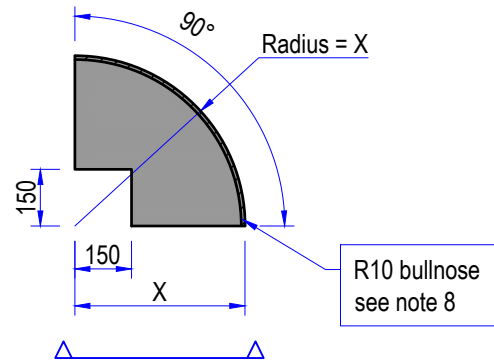
NOTES

1. All dimensions are in millimetres unless otherwise stated.
2. Do not scale from this drawing. Use only written dimensions.
3. All references to Clauses are to Southwark Highway Specification Clauses unless otherwise stated.
4. This drawing is to be read in conjunction with Clauses 1101SR and 1112AR. Amongst other things, these explain requirements for material, appearance, mechanical, chemical and other properties for kerb and edge restraint units. In the event of any conflict between drawings and specification, the specification prevails.
5. Refer to drawing **LBS/1100/10** for standard foundation details.
6. All kerb units shall be natural stone unless otherwise stated.
7. All arrises shall be square (90°) unless otherwise indicated.
8. Where a bullnosed detail is required to an arris then it shall be continued around the corners at the ends of that arris to remove sharp edges and reduce risk of future spalling.
9. Unless otherwise instructed or indicated in this drawing, natural stone kerbs shall be fine picked on all sides. A rough punched finish may be used as an alternative where approved or instructed by the Overseeing Organisation in writing in advance.

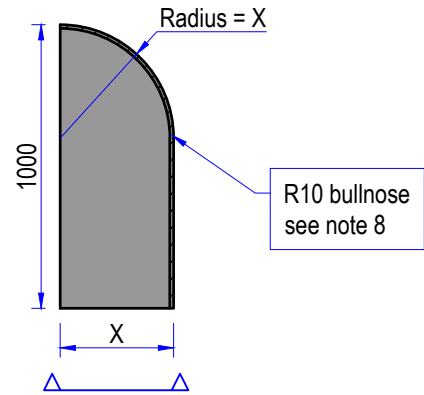
Quadrant - normal
Type 1 profile



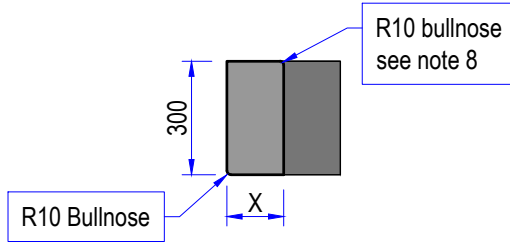
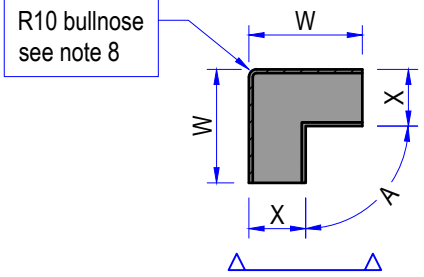
Quadrant - angle-cut
Type 1 profile



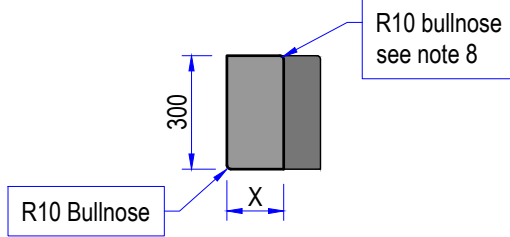
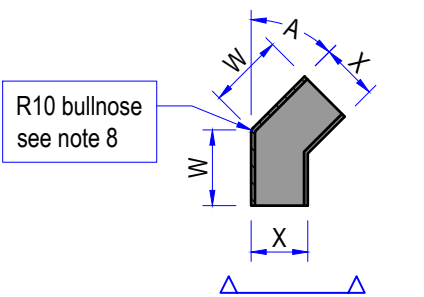
Quadrant - extended
Type 1 profile



Angle kerb - 90°
Type 1 profile



Angle kerb - 45°
Type 1 profile



QUADRANT				
Kerb Type	Type Designation	X	Y	Z
Normal	KQ-R300-300	300	300	-
	KQ-R300-150	300	150	-
	KQ-R450-300	450	300	-
Angle-cut	KQ/A-R300-300/150	300	-	-
	KQ/A-R450-300/150	450	-	-
Extended	KQ/E-R300-300/300	300	-	-
	KQ/E-R450-300/300	450	-	-

ANGLE KERBS			
Type Designation	A	W	X
KA-A90-150/300/300	90°	300	150
KA-A45-150/300/200	45°	200	150
KA-A90-300/300/500	90°	500	300
KA-A45-300/300/450	45°	450	300

REV	DATE	REVISION DESCRIPTION / DETAILS	DRN BY	CHKD BY	APRVD BY



PROJECT: SOUTHWARK STREETSCAPE DESIGN MANUAL STANDARD DETAILS

TITLE: KERB AND EDGE RESTRAINT TYPES LBS STANDARD UNITS

STATUS:	DRAFT	DRAWN:	OM
SCALE:	1:20 @ A3	DESIGNED:	OM
DRAWING NO:	LBS/1100/02	CHECKED:	DR
DATE DRAWN:	JULY 2017	APPROVED:	DR
DATE ISSUED:	09 Aug 2019	REV:	-